

DS-3T0510HP-E/HS 8-Port Gigabit Hi-PoE Switch



DS-3T0510HP-E/HS switches are layer 2 Hi-PoE switches, providing advanced PoE power supply technology and wider temperature (-30 °C to 65 °C) design on the basis of high-performance access to ensure stable data upload. The switches support Hi-PoE, long range, port isolation, and PoE watchdog function.

- 6 × gigabit PoE RJ45 ports, 2 × gigabit Hi-PoE RJ45 ports and 2 × gigabit SFP fiber optical ports.
- IEEE 802.3at/af/bt standard for Hi-PoE port (Max. 90 W PoE output).
- IEEE 802.3at/af standard for PoE ports (Max. 30 W PoE output).
- IEEE 802.3, IEEE 802.3u, IEEE 802.3x, IEEE 802.3z and IEEE 802.3ab standard.
- 6 kV surge protection for PoE ports.
- Up to 300 m long-range transmission.
- PoE watchdog to auto detect and restart the cameras that do not respond.
- Port isolation to improve network security.
- Wire-speed forwarding.
- Wider temperature (-30 °C to 65 °C) design.
- Store-and-forward switching.
- Solid high-strength metal shell.
- Reliable fan-free design.

▪ Specification

Model		DS-3T0510HP-E/HS
Network Parameters	Ports	6 × Gigabit PoE ports, 2 × Gigabit Hi-PoE RJ45 ports, and 2 × Gigabit fiber optical ports
	Port Type	RJ45 port, full duplex, MDI/MDI-X adaptive
	Working Mode	Standard mode (default), Extend mode, Isolation mode, PoE watchdog mode
	Standard	IEEE 802.3, IEEE 802.3u, IEEE 802.3x, IEEE 802.3z and IEEE 802.3ab
	Forwarding Mode	Store-and-forward switching
	MAC Address Table	4 K
	Switching Capacity	20 Gbps
	Packet Forwarding Rate	14.88 Mpps
	Internal Cache	1.5 Mbits
	Ports for Long-Distance Transmission	Ports 7 and 8
PoE Power Supply	PoE Standard	Ports 1 and 2: IEEE 802.3af, IEEE 802.3at, IEEE 802.3bt Ports 3 to 8: IEEE 802.3af, IEEE 802.3at
	PoE Power Pin	Ports 1 to 2 and 7 to 8: 8-pin power: 1/2(-), 3/6(+), 4/5(+), 7/8(-) Ports 3 to 6: End-span: 1/2(-), 3/6(+)
	PoE Port	Ports 3 to 8
	Max. Port Power	Ports 1 and 2: 90 W Ports 3 to 8: 30 W
	PoE Power Budget	110 W
Dialing Function	Long Range	Ports 7 and 8: up to 300 m.
	Port Isolation	Ports 1 to 8: port isolation mode to improve network security.
	PoE Watchdog	Ports 1 to 8: auto detect and restart the cameras that do not respond.
General	Dimensions (W × H × D)	197 mm × 114.2 mm × 42.2 mm (7.76" × 4.50" × 1.66")
	Shell	Metal material, fan-free design
	Gross Weight	1.11 kg (2.45 lb)
	Net Weight	0.585 kg (1.29 lb)
	Operating Temperature	-30 °C to 65 °C (-22 °F to 149°F)
	Operating Humidity	5% to 95% (no condensation)
	Storage Temperature	-40 °C to 85 °C (-40 °F to 185 °F)
	Storage Humidity	5% to 95% (no condensation)
	Power Consumption in Idle	10 W
	Power Supply	DC 48 to 57 V, 2.5 A Max.
Max. Power Consumption	120 W	
Approval	EMC	FCC (47 CFR Part 15, Subpart B); CE-EMC (EN 55032: 2015, EN 61000-3-2: 2014, EN 61000-3-3: 2013, EN 55024: 2010 +A1: 2015); RCM (AS/NZS CISPR 32: 2015); IC (ICES-003: Issue 6, 2016)
	Safety	UL (UL 60950-1); CB (IEC 60950-1:2005 + Am 1:2009 + Am 2:2013); CE-LVD (EN 60950-1:2005 + Am 1:2009 + Am 2:2013)
	Chemistry	CE-RoHS (2011/65/EU); WEEE (2012/19/EU); Reach (Regulation (EC) No 1907/2006)

▪ **Available Model**

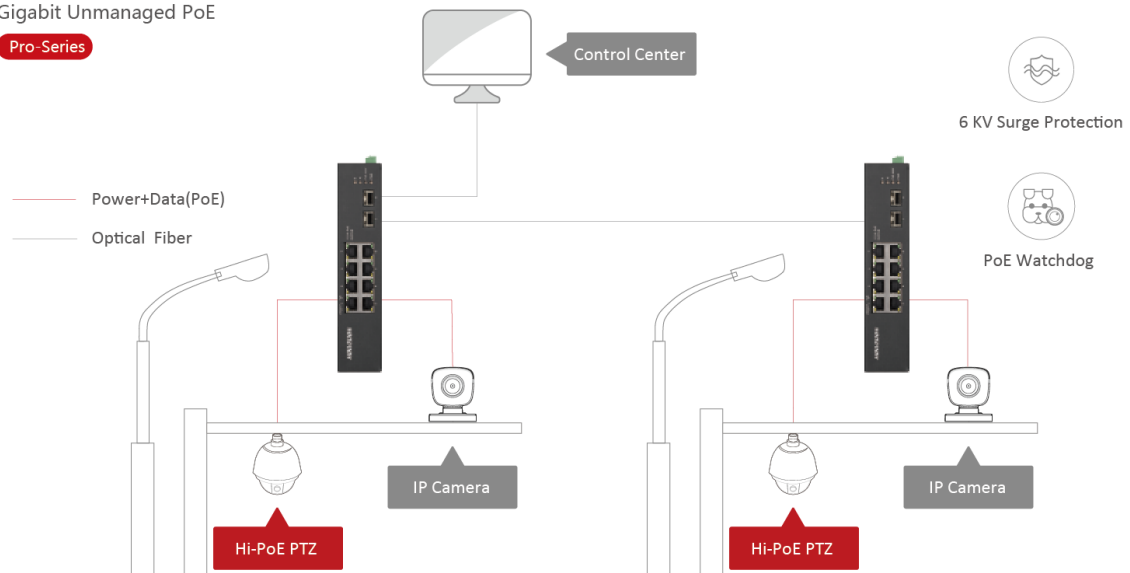
DS-3T0510HP-E/HS

▪ **Typical Application**

8-Port Gigabit PoE

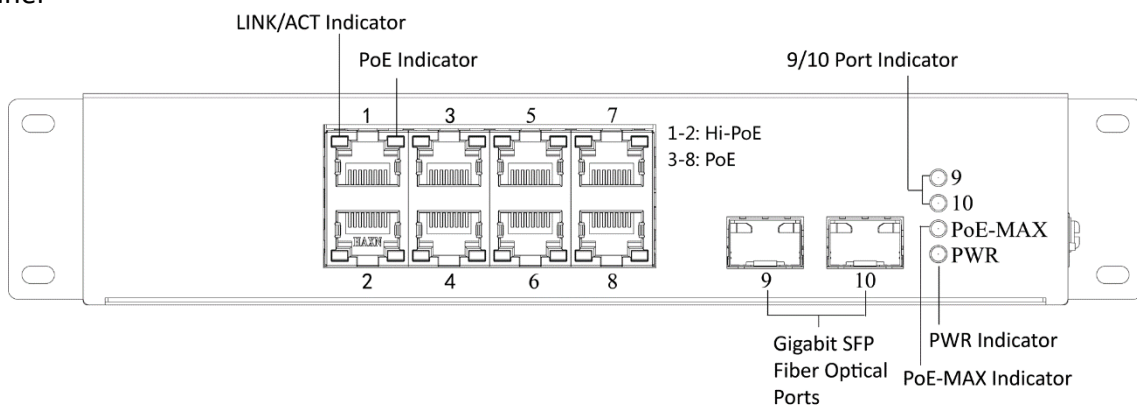
Gigabit Unmanaged PoE

Pro-Series

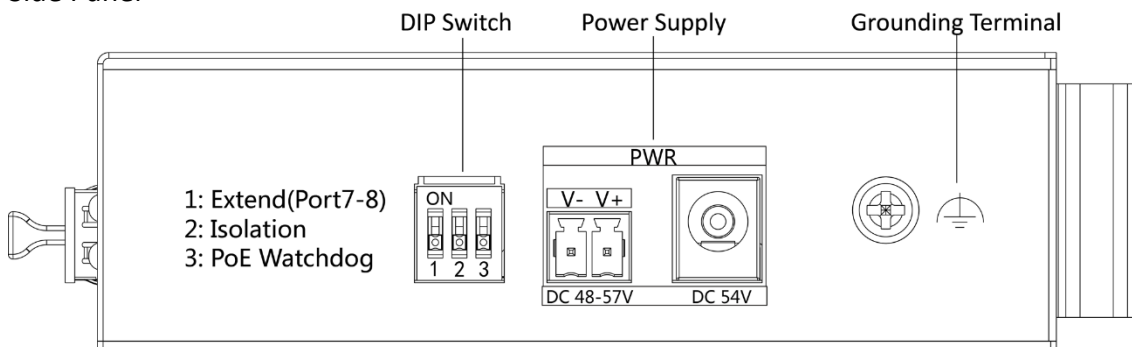


▪ **Physical Interface**

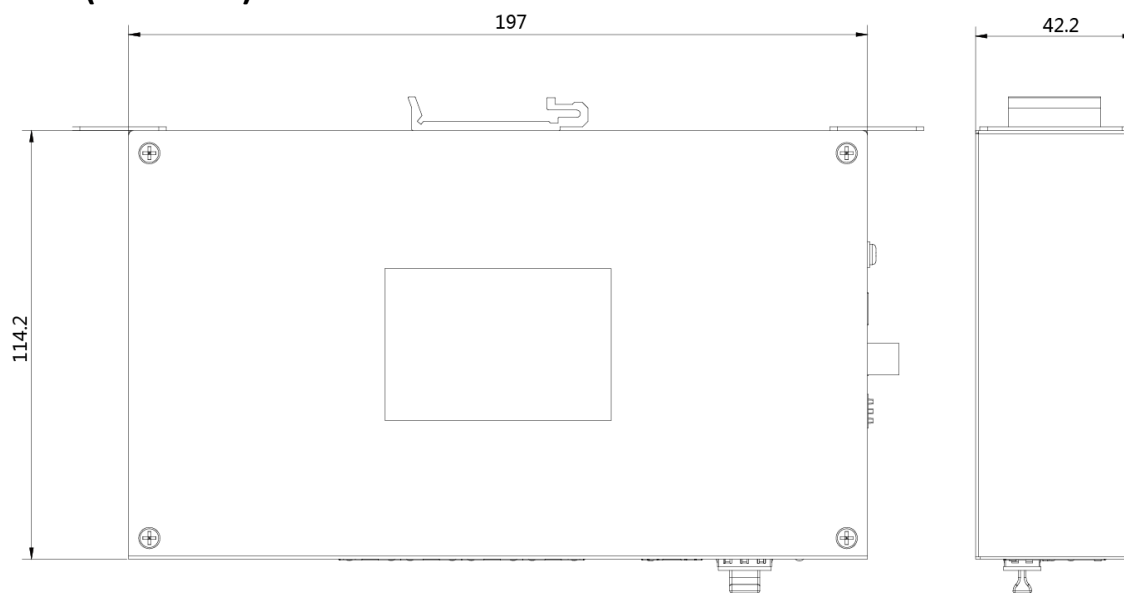
Front Panel



Side Panel



▪ **Dimension (Unit: mm)**



▪ **Accessory**

▪ **Optional**

DRL-48V75W1AZ	HK-SFP-1.25G-20-1310-DF	HK-SFP-1.25G-1310-DF-MM	HK-SFP-1.25G-20-1310	HK-SFP-1.25G-20-1550
				
DRL-48V240W1EN				
				

Headquarters

No.555 Qianmo Road, Binjiang District,
Hangzhou 310051, China
T +86-571-8807-5998
www.hikvision.com



Follow us on social media to get the latest product and solution information.

